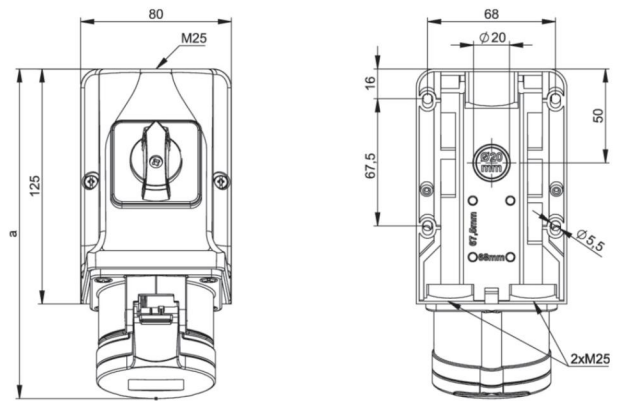
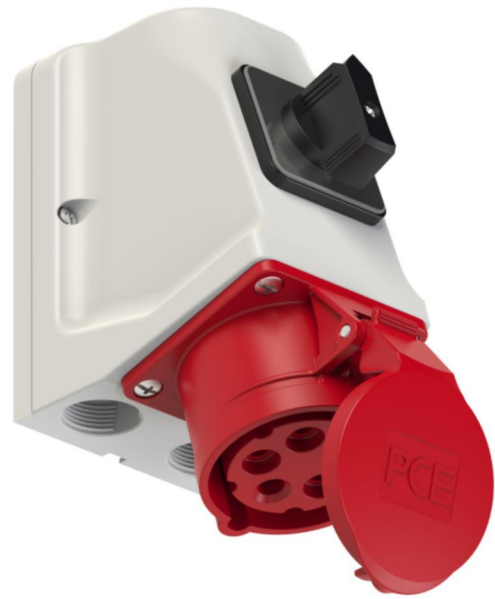


article#	75915-6
article description	CEE-wall mounted socket mit Schalter 16A 5p 6h IP44
description long	CEE-wall mounted socket with switch 16A 5p 6h IP44 housing material: PC/ABS rated current: 16A number of poles: 5 (3P+N+PE) clock-position: 6h rated voltage/frequency: 200/346V~ - 240/415V~/50+60Hz contacts: brass connection technology: screw terminals cable entry: top, 2x bottom, rear with ON/OFF switch AC22A - ready wired IP protection class: IP44
GTIN (EAN)	9003399053306
country of origin	AT
customs number	85366990
net weight	0.500 kg
packaging quantity	5
minimum order quantity	5

ETIM 9.0	EC001324
IEC-amperage	16 A
Number of poles	5
Voltage according to EN 60309-2	400 V (50+60 Hz) red
Clock hour position	6 h
Identification colour	Red
Degree of protection (IP)	IP44
Switch	With on/off switch, without locking
Material housing	Plastic
Protection	None

a	176 mm
b	133 mm
wire flexible	1-2,5 mm ²
wire solid	1-4 mm ²
contact screws	100 Ncm
housing screws	110 Ncm
connecting screws	110 Ncm
dismantling length	50 mm
stripping length	10-12 mm
ambient temperature	-25 – 40 °C
temperature resistance	-25 – 80 °C



b=Höhe/height
Neigung/angle=15°

<https://www.pcelectric.at/shop/en/?func=detail&artnr=75915-6>